

MMIC Amplifiers add Transient Protection for Rugged Performance

Transient protection is one of many features included in the latest generation of MMIC amplifiers offered by Mini-Circuits

With their advantages of low cost, small size, and excellent reliability, MMIC (monolithic microwave integrated circuit) amplifiers have displaced

discrete component designs in most low power wireless applications. Mini-Circuits offers an extensive line of MMIC amplifiers with a range of performance that accommodates a wide variety of applications. The newest models include transient protection for greater ruggedness and reliability.

“Simplicity is a Virtue”

Seasoned engineers hold great appreciation for this old adage. Components that are reliable, easy to use, and operationally robust simplify the job of the design engineer and quickly become favorite components of savvy designers. With this concept in mind, Mini-Circuits designs its MMIC amplifiers to be robust and simple to use, in addition to meeting the performance needs of the latest wireless products. These MMIC amplifiers operate from a single voltage supply, require few external components, and are matched to 50 ohms at input and output over the entire frequency range of operation.

The latest enhancement added to the Mini-Circuits line of MMIC amplifiers is transient protection. Current transients that occur during power-up can cause device damage in any high gain amplifier that uses a Darlington configuration. Using a novel design technique (patent-pending), engineers at Mini-Circuits have now addressed this issue. The result is an amplifier design that is



Mini-Circuits has improved its MMIC amplifier line with enhanced transient protection

even more rugged, while still providing state-of-the-art performance.

Product Overview

The MMIC amplifiers are based on InGaP HBT (Heterojunction-bipolar-transistor) technology and achieve wideband high gain performance via a Darlington pair amplifier configuration. HBT technology exhibits many benefits that are not available in commonly-used MESFET devices, namely single supply voltage operation and unconditional stability through the entire amplifier frequency range. Moreover, with their vertically stacked design, HBT devices are very compact, allowing for extremely high yields from a single wafer. The devices are fabricated with proven InGaP on GaAs technology using metal-organic chemical vapor deposition (MOCVD). Fabrication with InGaP on GaAs technology yields wide-

MMIC AMPLIFIERS

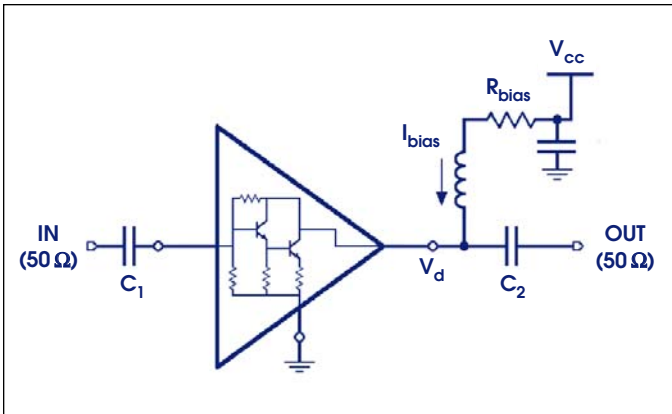


Figure 1 . Typical biasing configuration of the MMIC amplifier, showing a simplified diagram of the internal Darlington transistor pair, as well as the external coupling and biasing components.

band devices that are significantly more reliable than AlGaAs on GaAs technology.

The amplifiers exhibit high gain, low noise, and high stability. The ERA series amplifiers are supplied in a 4-lead surface mount package, and the GALI series amplifiers are supplied in a 3-lead surface mount package. Both package types provide low thermal resistance for high reliability.

Transient Protection

The Darlington pair configuration is the most common transistor configuration used for high-gain microwave amplifiers. One unfortunate characteristic inherent to all Darlington amplifiers is their susceptibility to damage from transient currents. The current transient occurs as

Applications

With their high-gain, wide-band performance, and miniature size, the MMIC amplifiers can be used in a wide variety of applications, such as wireless phones, base stations, and instrumentation equipment. Combined with a 1.5:1 wideband transformer, the amps can also be used in 75 ohm systems (e.g. CATV receivers, HDTV receivers, satellite TV receivers and cable modems). Mini-Circuits manufactures a large selection of wide-band transformer models, available in miniature surface-mount packaging.

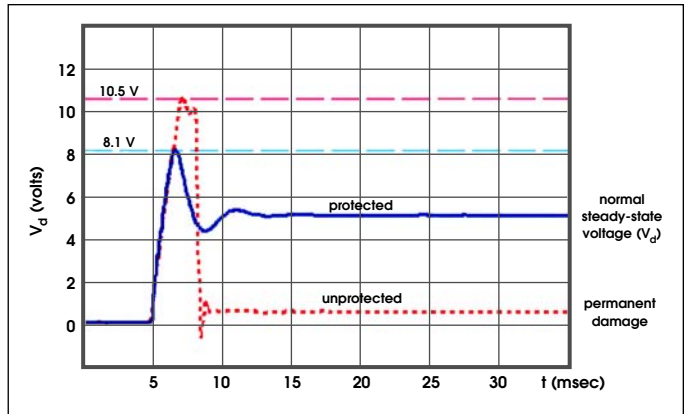


Figure 2 . Device response to a current transient of 100 mA during power up. The unprotected ERA-5 amplifier (red, dashed) experienced an over-voltage condition and was permanently damaged. The protection circuit of the new ERA-5 (blue, solid) prevents the over-voltage condition and the device settles to its steady state bias level.

the device is powered up and the transistors turn on (i.e. enter active mode of operation).

Most of the excess current that occurs during power up is due to the charging of the DC blocking capacitors at the input and output. A typical biasing configuration of the MMIC amp is shown in Figure 1. When the supply voltage is first applied, the voltage at the output of the amplifier, V_d , climbs as the output capacitor, C_2 , charges. The capacitor C_2 continues to charge until the Darlington transistor pair inside the amplifier turns on. The voltage on the capacitor C_2 can greatly exceed the normal steady state value by the time that the amplifier starts to conduct. Only after the transistors turn on does the output voltage settle to its proper value. If the output voltage exceeds the maximum rated voltage, even for this short period of time, the device experiences permanent damage.

To address this problem, Mini-Circuits added a patent-pending protection circuit to the Darlington pair inside the amplifier. The results are impressive. Figure 2 shows a plot of device voltage (V_d) versus time for two amplifiers subjected to a power-on transient. The first amplifier was unprotected, while the second amplifier was protected. The transient caused the first amplifier to fail, but the protected amplifier handled the transient situation unscathed.

Supporting Circuitry

The MMIC amplifiers require only five external components, as shown in Figure 1. Coupling capacitors are placed both at input and output for DC blocking. A bias

MMIC Amplifiers with Transient Protection								
At 2 GHz*								
Model	Frequency Range	Gain, dB typ.		Maximum Power Output (P_{1dB}) dBm typ.	Noise Figure dB typ.	Output IP3 dBm typ.	VSWR (n:1) typ.	
		at 100MHz	at Max Freq				In	Out
ERA-1XSM	DC to 8 GHz	12.5	9.0	+12.5	4.3	+28.0	1.3	1.4
ERA-2XSM	DC to 6 GHz	16.5	10.6	+13.0	3.3	+28.0	1.3	1.4
ERA-3XSM	DC to 3 GHz	23.2	16.3	+12.0	2.6	+26.0	1.2	1.3
ERA-4XSM	DC to 4 GHz	14.7	11.3	+17.0	4.2	+35.0	1.2	1.3
ERA-5XSM	DC to 4 GHz	20.5	13.7	+17.8	3.1	+35.0	1.2	1.4
ERA-6XSM	DC to 4 GHz	12.9	9.8	+17.1	4.5	+35.0	1.2	1.3

*At 1 GHz for ERA-4XSM, ERA-5XSM, ERA-6XSM

Table 1 · MMIC amplifier models that include transient protection.

network is included at the output to deliver power to the amplifier. The bias network consists of a resistor, which sets the bias current to the amp, and an RF choke which prevents coupling of the RF signal to the power supply. The value of R_{bias} is a function of V_{cc} , the desired V_d and the particular device's recommended I_{bias} . Calculation of the resistor value is simple, and Mini-Circuits provides an application note AN-60-010 to aid the designer [1]. Mini-Circuits also offers both wide-band RF chokes [2] and wide-band bias tees [3] that can be used for implementation of the bias network. Lastly, a bypass capacitor is required for power supply decoupling.

Wideband matching that is internal to the amplifier allows for simple input and output connections to the device. Each amplifier is matched to 50 ohms at input and output over the full frequency range of operation. The amplifiers exhibit excellent input and output VSWRs (see Table 1). Because the amplifiers possess internal matching networks, the devices interface directly with other 50 ohm circuits over the entire operating frequency range with no additional matching circuitry. The amplifiers can

be cascaded to achieve higher gain.

To further expedite the design and simulation process, Mini-Circuits provides a suggested layout for each device and publishes full S parameter data [4]. The MMIC amplifiers are priced from \$1.19 each (30 qty).

Notes

1. Application Note AN-60-010 is available online at www.minicircuits.com/appnote/an60010.pdf
2. Information available at: www.minicircuits.com/rfchoke.html
3. Information available at: www.minicircuits.com/bias.html
4. Data available online at: www.minicircuits.com/sparameters.html

Mini-Circuits
Tel: 718-934-4500
Fax: 718-332-4661
www.minicircuits.com
HFELink 301

SUBSCRIBE TO **HIGH FREQUENCY ELECTRONICS**

Point your browser to: www.highfrequencyelectronics.com, then click on "SUBSCRIBE OR RENEW" and fill out the online form.

It's that easy!